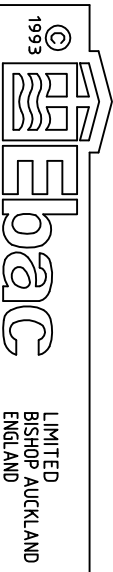
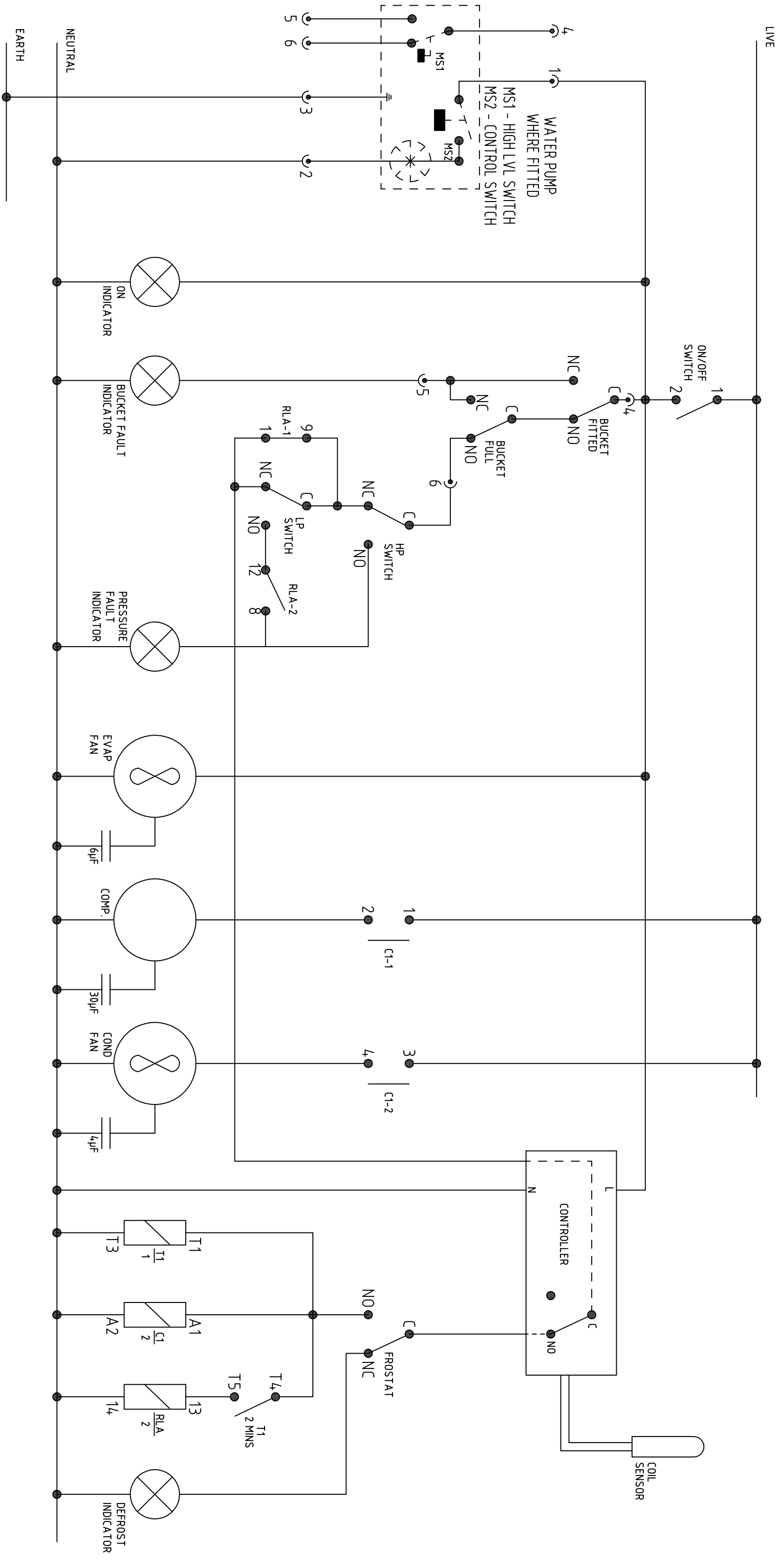


ISSUE	DATE	AMENDMENTS
1	08/05/18	ORIGINAL



TITLE
Bkool12 - UK/EU - SCHEMATIC

3RD ANGLE PROJECTION DO NOT SCALE IF IN DOUBT ASK	DIMENSIONS IN m.m. TOLERANCES UNLESS OTHERWISE STATED	MATERIAL	DRAWN : W DAGLISH
0.0 0.00 ANGULAR ± 0.5 DEGREE	± 1 ± 0.25 ± 0.05	FINISH	CAD SCALE : N/A
			DRG.NO. 5020426
			SHEET 1 OF 1