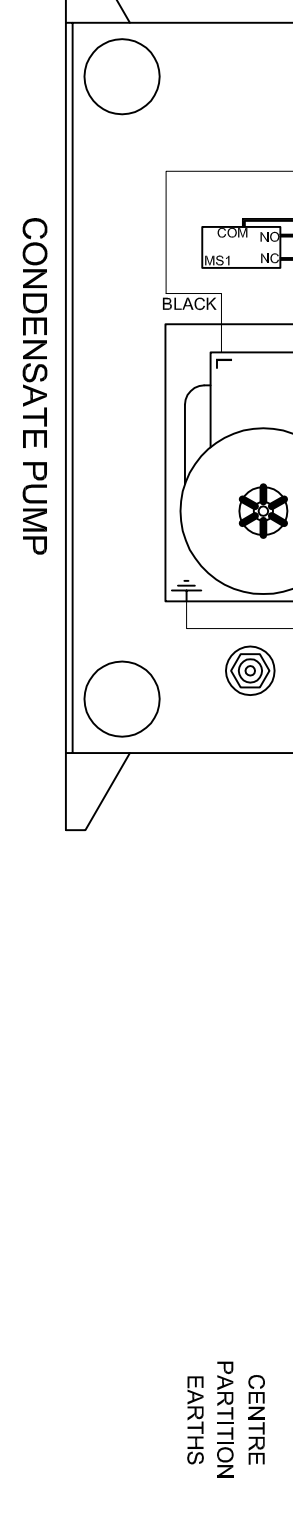
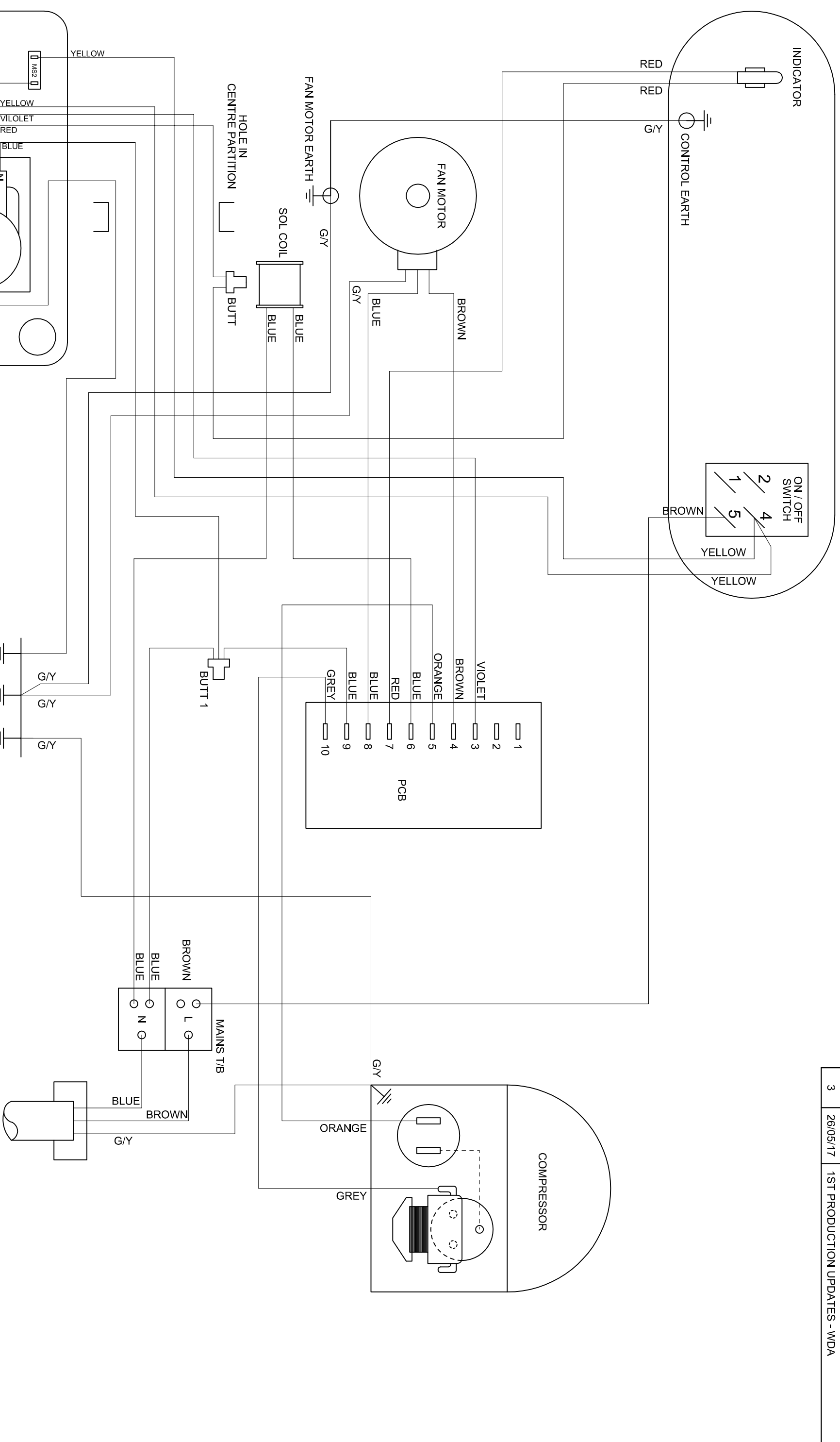


ISSUE	DATE	AMENDMENTS
1	31/01/17	ORIGINAL
2	28/03/17	PILOT BUILD UPDATES - WDA
3	26/05/17	1ST PRODUCTION UPDATES - WDA



 3RD ANGLE PROJECTION DO NOT SCALE IF IN DOUBT ASK		 LTD		1997 BISHOP AUCKLAND Co. DURHAM ENGLAND		DIMENSIONS IN m.m. TOLERANCES UNLESS OTHERWISE STATED 0.0 ± 1 0.00 ± 0.25 0.00 ± 0.05 ANGULAR ± 0.5 DEGREE		TITLE <b>BD75P - UK/EU 230V - DIAGRAM</b>	
MATERIAL		FINISH		DRAWN: W DAGLISH		CAD SCALE: 1/1		DRG.NO.	
SEE DRW		SEE DRW		5010422		SHEET		1 OF 1	

CONDENSATE PUMP